

IRC-29 Passive Infrared Motion Sensor

Extensive Detection Range
Seamless Protection



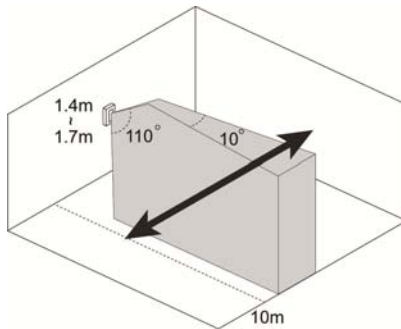
- **Curtain-type PIR Motion Sensor**
- **Excellent Detection Range & Auto Power Saving**
- **Modern Design with Resistance to Insect**
- **Superior White Light and Noise Rejection**

The IRC-29 is a passive infrared motion sensor with a curtain detection pattern that provides quality detection. The IRC-29 is ideal for indoor use designed to protect wall/roof windows, corridors, balcony doors, and all-glass walls.

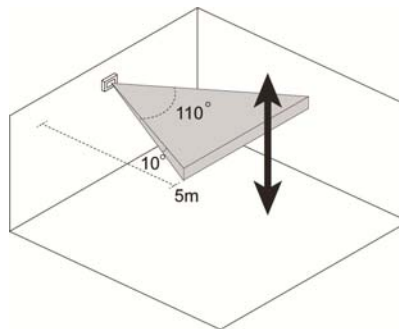
The IRC-29's compact size and wireless design makes it light and easy to install. It features advanced Adaptive Digital Signal Processing (ADSP) algorithms, enabling high-sensitivity detection free from changes in the environment or outside interference.

With temperature compensation sensitivity control, and digital signal processing, the IRC-29 ensures excellent communication range and guarantees successful signal transmission. The IRC-29 is suitable for both residential and light commercial applications.

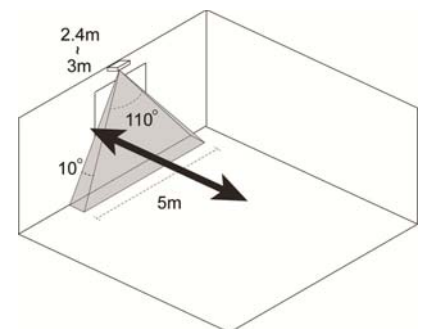
Vertical Wall Mount



Horizontal Wall Mount



Ceiling Mount



Features

- Microprocessor controlled with ADSP algorithms
- Wall or ceiling mount with tamper protection
- Randomized supervision checking system integrity
- Temperature compensated sensitivity control
- Battery-operated for easy installation
- Elegant compact design
- LED functions as fault and test mode indicator
- Superior white light and noise rejection
- Detection Range: up to 10 meters
- Automatic power saving mechanism
- Compliant with CE requirements
- Compact and low-profile with resistance to insect

Specifications

Frequencies	868WF/869FM/433AM
Power Source	CR-123A (3V Lithium Battery) x 1
Battery Life	3.5 years*
Operating Temperature	-10°C to 45°C
Operating Humidity	Up to 85% non-condensing
Dimensions	76 mm x 56 mm x 43 mm

* Note: Actual battery life may vary with product settings, usage patterns and operating environment.